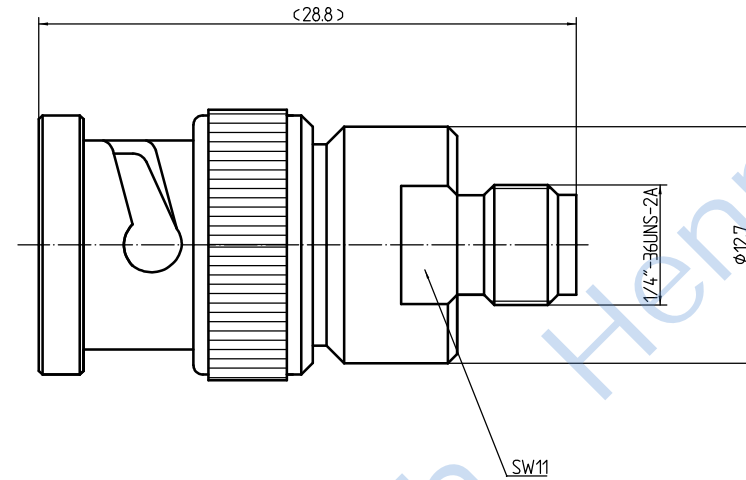


This document contains proprietary information and such information may not be disclosed to others for any purposes, not used for sales/marketing/procurement purposes without written permission

REV	DESCRIPTION OF REVISION	ECN NO.	BY	DATE	APPROVED
A	Initial Release	—	H.wei	09/07/15	09/07/15

- 1 Electrical Data:
- 1.1 Impedance: 50 Ω
 - 1.2 Frequency: DC~4GHz
 - 1.3 VSWR: 1.25:1

- 2 Material&Finish
- 2.1 Inner Contact: gold plated over Phospher bronze
 - 2.2 Outer Contact: nickel plated over brass.
 - 2.3 Insulators: Teflon



Notes:

- 1. ALL SPECIFICATIONS ARE SUBJECT TO CHANGE NOTICE AT ANY TIME
- 2. CUSTOMER OUTLINE DRAWING FOR REFERENCE ONLY

DRAWN: H.wei 09/07/15 ENGINEER: L.yu 09/07/15 APPROVED: W.yi 09/07/15 TOLERANCES UNLESS OTHERWISE SPECIFIED X ±0.50 .X ±0.20 .XX ±0.10 ANGLES ±1°	TITLE: RF Adaptor BNC male to SMA Female Adaptor	
PART NO: HL-BNC/SMA-JK-F	SIZE: A4 SCALE: N/A SHEET: 1/1 REV: A	