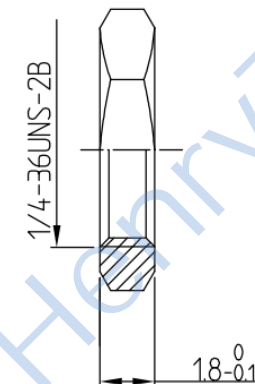
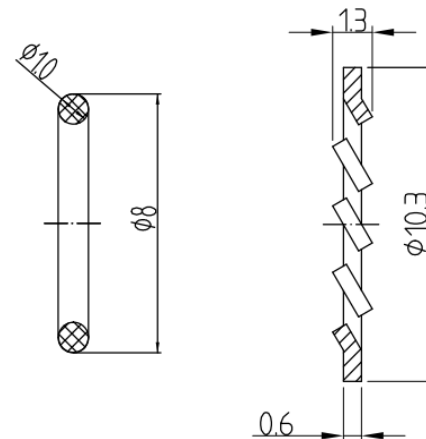
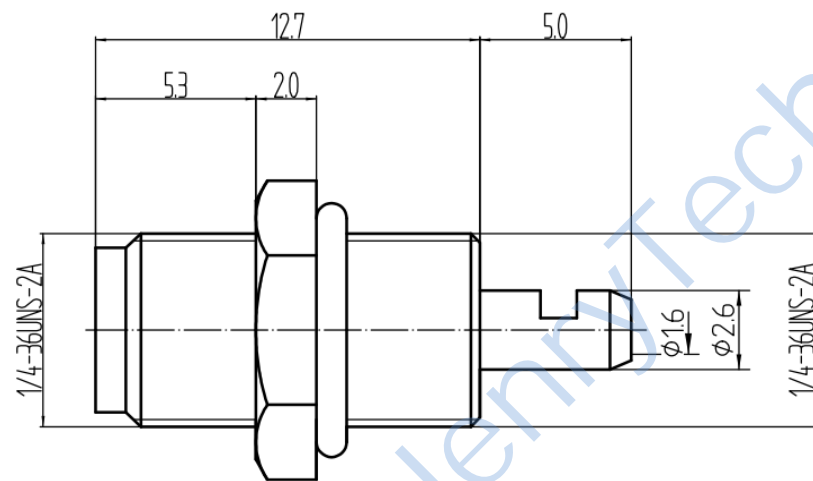


This document contains proprietary information and such information may not be disclosed to others for any purposes, not used for sales/marketing/procurement purposes without written permission

REV	DESCRIPTION OF REVISION	ECN NO.	BY	DATE	APPROVED
A	Initial Release	—	H.wei	19/03/17	19/03/17



1 Electrical

- 1.1 Impedance 50 Ω
- 1.2 Frequency DC ~6GHz
- 1.3 VSWR 1.30:1

2 Environmental & Mechanical


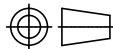
- 2.1 Temperature range -55℃ ~125℃
- 2.2 RoHS Compliant Yes
- 2.3 Durability 500 cycles

3 Materials & plating

- 3.1 Body: Brass Gold plated <4u'>
- 3.2 Insulator: Teflon
- 3.3 Contact Pin: Beryllium Copper; Gold plated <4u'>

Notes:

- 1. ALL SPECIFICATIONS ARE SUBJECT TO CHANGE NOTICE AT ANY TIME
- 2. CUSTOMER OUTLINE DRAWING FOR REFERENCE ONLY

DRAWN: H.wei 19/03/17		TITLE: RF Coaxial Connector SMA Female Bulkhead Connector With RG178 Cable					
ENGINEER: L.yu 19/03/17							
APPROVED: W.yi 19/03/17				 DIMENSION IN MILLIMETERS (mm)			
TOLERANCES UNLESS OTHERWISE SPECIFIED		PART NO: HL-SMA-KYB178		SIZE: A4	SCALE: N/A	SHEET: 1/1	REV: A
X ±0.50							
.X ±0.20							
.XX ±0.10							
ANGLES ±1°							