

This document contains proprietary information and such information may not be disclosed to others for any purposes, not used for sales/marketing/procurement purposes without written permission

REV	DESCRIPTION OF REVISION	ECN NO.	BY	DATE	APPROVED
A	Initial Release	—	H.wei	19/03/17	19/03/17

1 Electrical

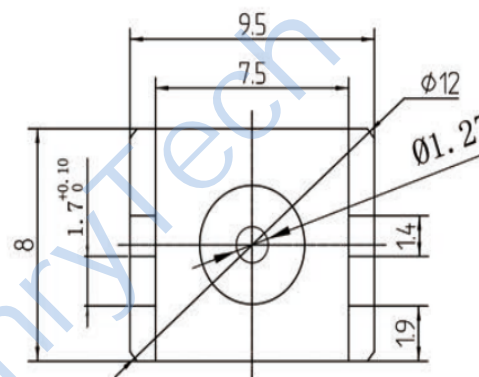
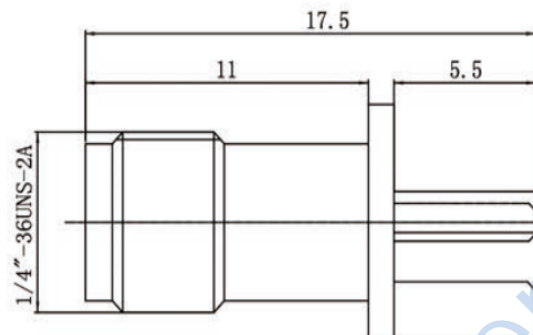
- 1.1 Impedance 50 Ω
- 1.2 Frequency DC~6GHz
- 1.3 Dielectric withstanding voltage 1000V(volts RMS)
- 1.4 Center contact resistance ≤ 3MΩ
- 1.5 Outer contact resistance ≤ 2MΩ
- 1.6 Insulation resistance: ≥5000MΩ

2 Environmental&Mechanical

- 2.1 Temperature range -45℃~125℃
- 2.2 RoHs Compliant
- 2.3 Durability >500 cycles

3 Materials&plating

- 3.1 Body: Brass; Gold, plated
- 3.2 Insulator: Teflon
- 3.3 Contact Pin: Beryllium Copper; Gold,plated



Notes:

- 1. ALL SPECIFICATIONS ARE SUBJECT TO CHANGE NOTICE AT ANY TIME
- 2. CUSTOMER OUTLINE DRAWING FOR REFERENCE ONLY

DRAWN: H.wei 19/03/17 ENGINEER: L.yu 19/03/17 APPROVED: W.yi 19/03/17 TOLERANCES UNLESS OTHERWISE SPECIFIED X ±0.50 X ±0.20 XX ±0.10 ANGLES ±1°	TITLE: HL-SMA-KHDC5T SMA Female Conn. End Launch	
PART NO: HL-SMA-KHDC5T	SIZE: A4 SCALE: N/A SHEET: 1/1 REV: A	DIMENSION IN MILLIMETERS (mm)