

1

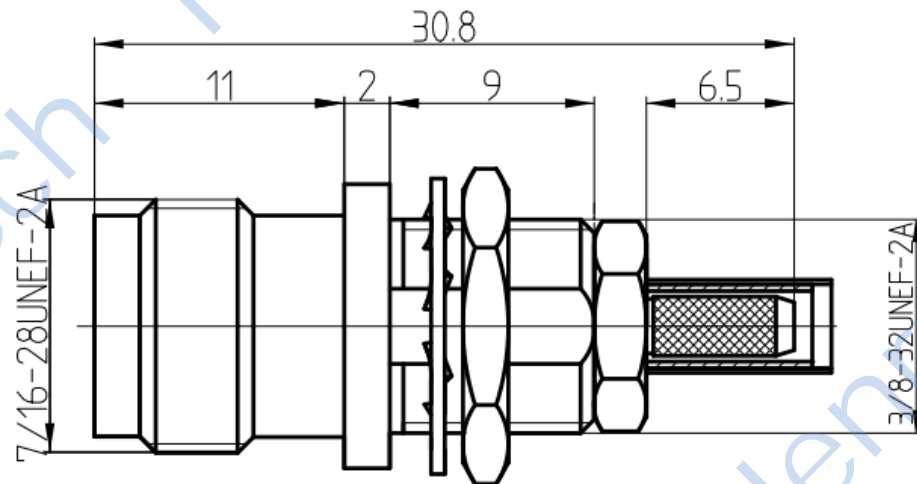
2

3

4

This document contains proprietary information and such information may not be disclosed to others for any purposes,
not used for sales/marketing/procurement purposes without written permission

REV	DESCRIPTION OF REVISION	ECN NO.	BY	DATE	APPROVED
A	Initial Release	—	H.wei	12/7/06	12/7/06



1 Electrical

1.1 Impedance	50 Ω
1.2 Frequency	DC ~ 3GHz
1.3 Dielectric withstanding voltage	1500V (volts RMS)
1.4 Center contact resistance	$\leq 15M\Omega$
1.5 Outer contact resistance	$\leq 0.2M\Omega$
1.6 Insulation resistance:	$\geq 5000M\Omega$

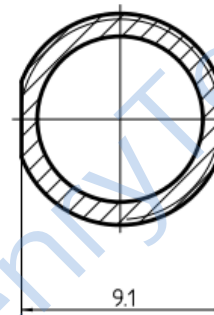
2 Environmental & Mechanical

2.1 Temperature range	-40 $^{\circ}$ C ~ +85 $^{\circ}$ C
2.2 RoHS Compliant	
2.3 Durability	>500 cycles

3 Materials & plating


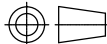
3.1 Body:	Brass; Nickel plated
3.2 Insulator:	Teflon
3.3 Contact Pin:	Bronze Gold plated
3.4 Nut:	Brass, Nickel plated
3.5 Gasket:	Silicon Rubber (red color)
3.6 Washer	Brass, Nickel plated

Mounting Hole



Notes:

- ALL SPECIFICATIONS ARE SUBJECT TO CHANGE NOTICE AT ANY TIME
- CUSTOMER OUTLINE DRAWING FOR REFERENCE ONLY

DRAWN: H.wei 12/07/06	TITLE:				
ENGINEER: L.yu 12/07/06	RF Coaxial Connector TNC Female B/H Conn. For RG316 Cable				
APPROVED: W.yi 12/07/06		 DIMENSION IN MILLIMETERS (mm)			
TOLERANCES UNLESS OTHERWISE SPECIFIED					
.X ± 0.50		SIZE: A4	SCALE: N/A	SHEET: 1/1	REV: A
.X ± 0.20		PART NO: HL-TNC-KY3YA			
.XX ± 0.10					
ANGLES $\pm 1^{\circ}$					