

This document contains proprietary information and such information may not be disclosed to others for any purposes, not used for sales/marketing/procurement purposes without written permission

REV	DESCRIPTION OF REVISION	ECN NO.	BY	DATE	APPROVED
A	Initial Release	—	H.wei	1/9/15	1/9/15

1 Electrical

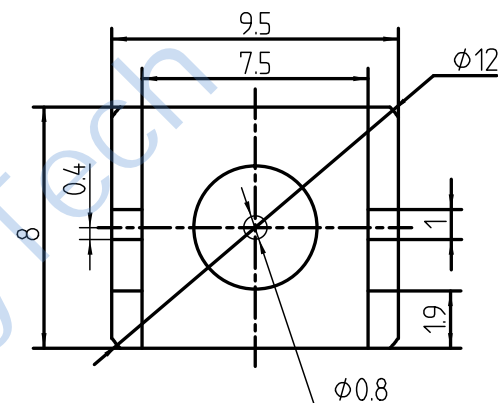
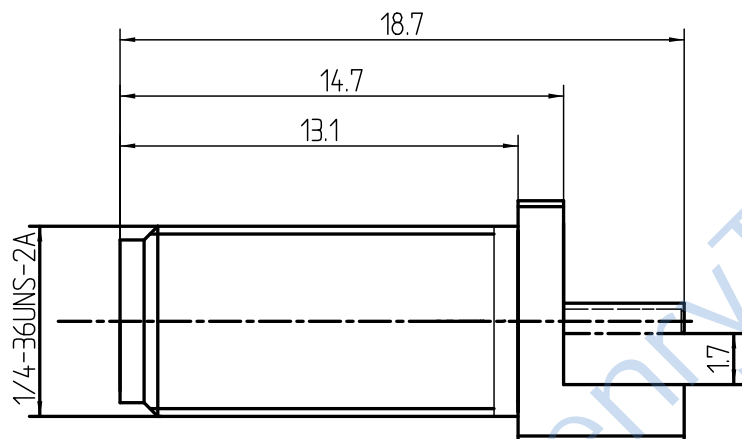
- 1.1 Impedence 50 Ω
- 1.2 Frequency DC ~6GHz
- 1.2 Dielectric withstanding voltage 1000V(volts RMS)
- 1.3 Center contact resistance ≤ 3M Ω
- 1.4 Outer contact resistance ≤ 2M Ω
- 1.5 Insulation resistance: ≥5000M Ω

2 Environmental&Mechanical

- 2.1 Temperature range -45 °c ~125 °c
- 2.2 RoHs Compliant
- 2.3 Durability >500 cycles

3 Materials&plating

- 3.1 Body: Brass; Gold, plated
- 3.2 Insulator: Teflon
- 3.3 Contact Pin: Bronze; Gold,plated



Notes:

- 1. ALL SPECIFICATIONS ARE SUBJECT TO CHANGE NOTICE AT ANY TIME
- 2. CUSTOMER OUTLINE DRAWING FOR REFERENCE ONLY

DRAWN: H.wei 1/9/15 ENGINEER: L.yu 1/9/15 APPROVED: W.yi 1/9/15 TOLERANCES UNLESS OTHERWISE SPECIFIED X ±0.50 .X ±0.20 .XX ±0.10 ANGLES ±1°	TITLE: RF Coaxial Connector SMA Female B/H Conn. End Launch	
PART NO: HL-SMA-KYHDC1	SIZE: A4 SCALE: N/A SHEET: 1/1 REV: A	DIMENSION IN MILLIMETERS (mm)