

This document contains proprietary information and such information may not be disclosed to others for any purposes, not used for sales/marketing/procurement purposes without written permission

REV	DESCRIPTION OF REVISION	ECN NO.	BY	DATE	APPROVED
A	Initial Release	—	H.wei	18/03/13	18/03/13

1 Electrical

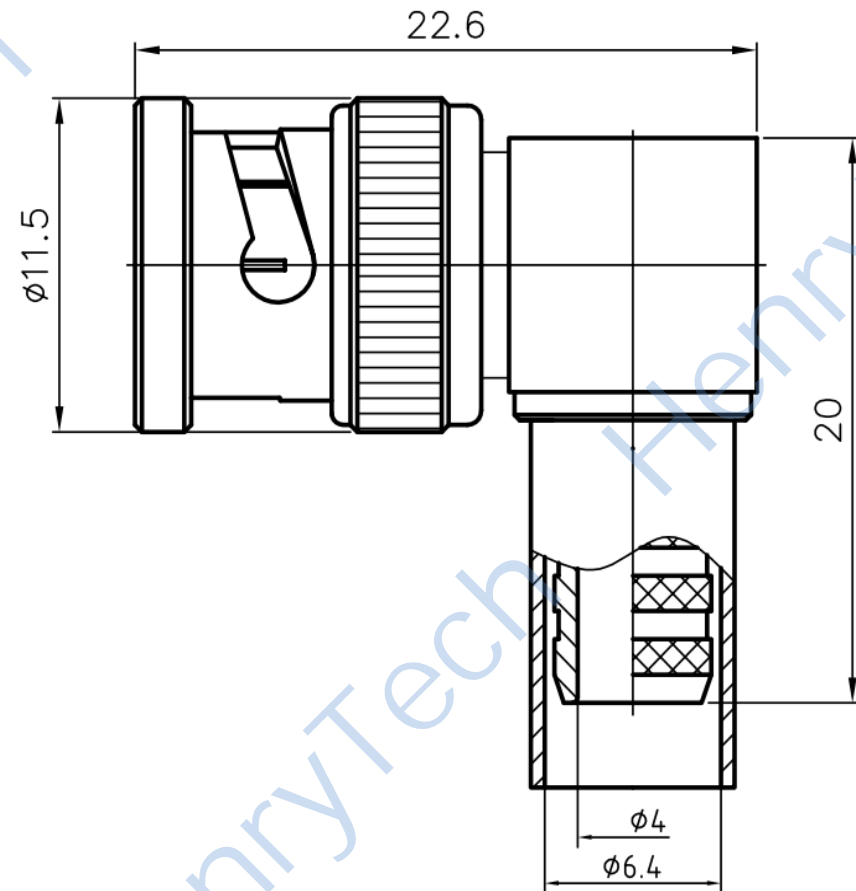
- 1.1 Impedence 50Ω
- 1.2 Dielectric withstanding voltage 1000V(volts RMS)
- 1.3 Center contact resistance ≤ 3MΩ
- 1.4 Outer contact resistance ≤ 2MΩ
- 1.5 Insulation resistance: ≥5000MΩ

2 Environmental&Mechanical

- 2.1 Temperature range -55℃~155℃
- 2.2 RoHs Compliant
- 2.3 Durability >500 cycles

3 Materials&plating


- 3.1 Body: Brass, nickel plated
- 3.2 Insulator: Teflon
- 3.3 Contact Pin: Brass, Gold plated
- 3.4 Coupling nut: Brass, nickel plated
- 3.5 Washer: Beryllium copper, nickel plated
- 3.6 Ferrule: Brass, nickel plated




Notes:
 1. ALL SPECIFICATIONS ARE SUBJECT TO CHANGE NOTICE AT ANY TIME
 2. CUSTOMER OUTLINE DRAWING FOR REFERENCE ONLY

DRAWN: H.wei 18/03/13
ENGINEER: L.yu 18/03/13
APPROVED: W.yi 18/03/13
TOLERANCES UNLESS OTHERWISE SPECIFIED X ±0.50 .X ±0.20 .XX ±0.10 ANGLES ±1°

TITLE: Mini-BNC-JW240Y Mini-BNC Male Right Angle Connector For LMR240 Cable
PART NO: HL-MINI-BNC-JW240Y

 HenryTech

 DIMENSION IN MILLIMETERS (mm)

SIZE: A4	SCALE: N/A	SHEET: 1/1	REV: A
----------	------------	------------	--------