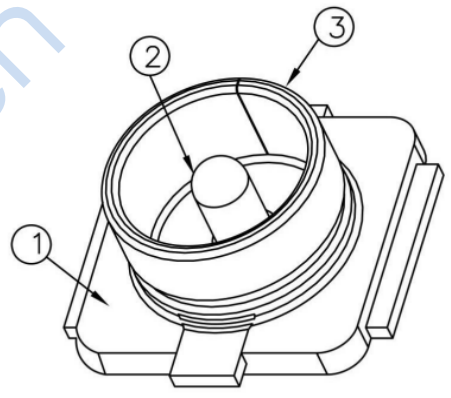
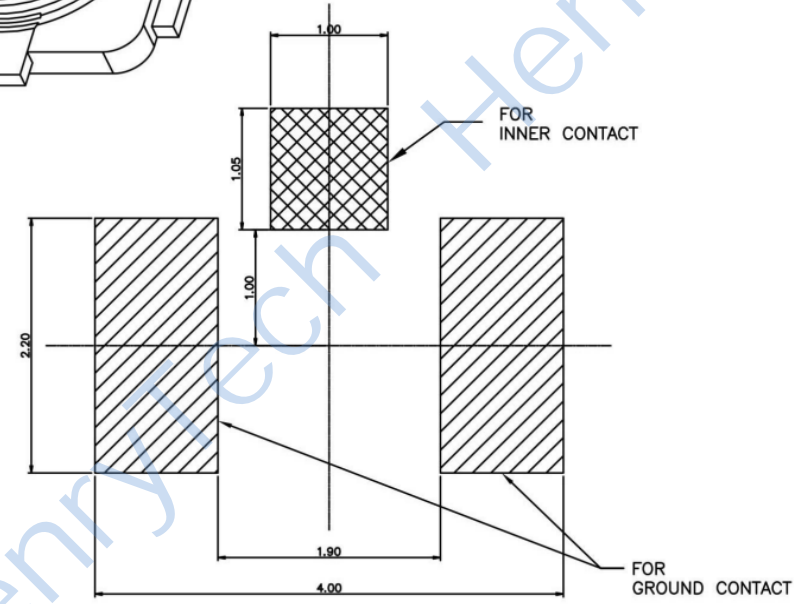


3	GROUND CONTACT	1	COPPER ALLOY	Au PLATING OVER NI OVER ALL	
2	INNER CONTACT	1	COPPER ALLOY	Au PLATING OVER NI OVER ALL	
1	HOUSING	1	LCP UL94V-0		
ITEM	DESCRIPTION	Q'TY	MATERIAL	FINISH	REMARK



NOTE:1  
 1. ELECTRICAL CHARACTERISTICS:  
 1.1 CURRENT RATING: 0.5A MAX.  
 1.2 IMPEDANCE: 50OHM NOMINAL.  
 2. MECHANICAL CHARACTERISTICS:  
 2.1 OPERATING TEMP. -40~90°  
 2.2 VEWR UP TO 3GHz: 1.3MAX.  
 3GHz TO 6GHz: 1.4MAX.  
 2.3 DURABILITY: 30CYCLES



NOTE:2  
 1. HOUSING MATERIAL: LCP, BLACK, UL94V-0.  
 2. TERMINAL MATERIAL: COPPER ALLOY (C2680),  
 Au:3u", Ni:50~120u".  
 3. SHELL MATERIAL: COPPER ALLOY (C5191),  
 Au:1~3u", Ni:50~120u".

制图	版次	比例	型号规格 HL2-IPEX1-SMT
审核	投影		
批准	未标注公差的, 以下列公差表为准		品名 SMT表贴式IPEX1代板端
	1. X.X±0.2	4. 去除锐边最大0.1	成都恒利泰科技有限公司 Chengdu HenryTech Technology co., Ltd
	2. X.XX±0.1	5. 表面粗糙度Ra3.2	
	3. 角度±1°	6. 倒角C0.15MAX	
	* 为重点尺寸		单位 mm