

H3-TC1. 33-1T-75+

3-500MHz 75Ω 3:4 Balun

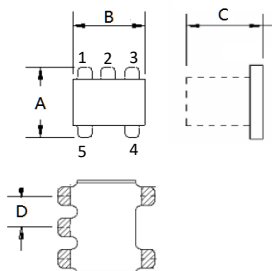
APPLICATIONS

Ideally suited for high volume cellular and wireless applications.

FEATURES

- Surface mount
- Impedance ratio: 3:4
- Available on tape and reel
- RoHS compliant and Pb free
- 260°C reflow compatible
- CT on Secondary

DIMENSIONS

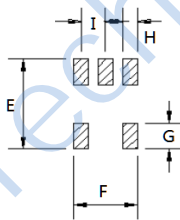


A	B	C
3.81	3.81	2.90 Max
D		
1.27		

Unless otherwise stated dimensions are in mm

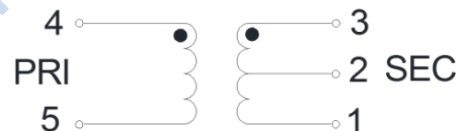
Tolerance: .xx ± 0.25, .xxx ± 0.05

Land Pattern



E	F	G
4.83	3.30	1.40
H	J	
0.76	1.27	

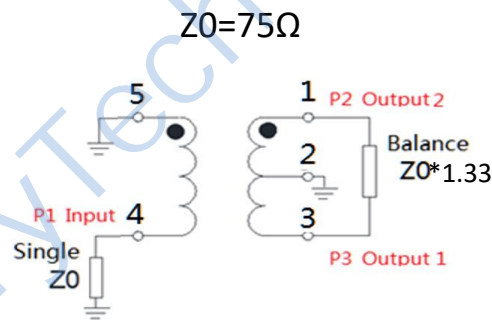
FUNCTIONAL SCHEMATIC



PIN CONFIGURATION

Pin No.	Function
1	Secondary Dot
2	Secondary CT
3	Secondary
4	Primary
5	Primary Dot

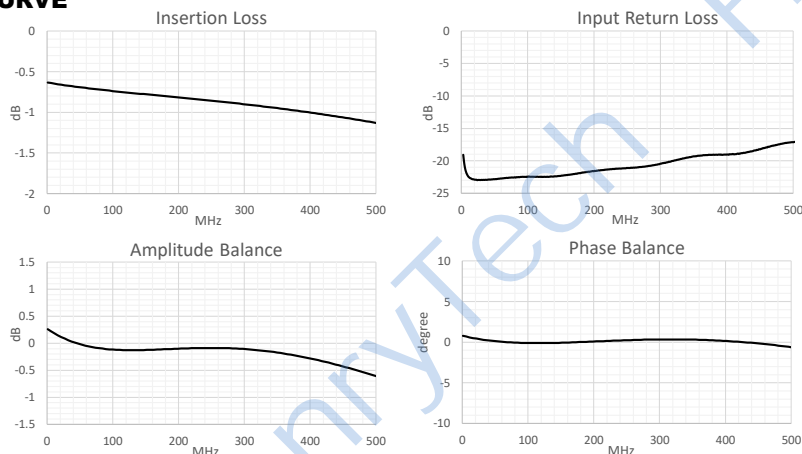
APPLICATION & TEST CIRCUIT



ELECTRICAL SPECIFICATIONS@25°C:

Parameters (P#: ENA PORT)	frequency band	Min.	Typ.	Max.	Unit
Port Impedance, Z0 (P1 / P2 / P3)			75/50/50		Ohm
Insertion Loss	5-300MHz		0.8	1.0	dB
	3-500MHz		1.1	2.0	dB
Return Loss	3-500MHz	15.0	18.0		dB
Amplitude Balance	5-300MHz		0.3	0.5	dB
	3-500MHz		0.6	0.9	dB
Phase UnBalance	5-300MHz		0.2	3	Deg
	3-500MHz		0.5	5	Deg

TEST CURVE



ABSOLUTE MAXIMUM RATINGS

Parameter	Value
Input Power	250mW MAX
DC Current	30mA MAX
Operating Temperature Range	-40 to 85°C

Tel: +86-28-85589664

E-mail: mr_li@henglitaitech.com

Web: www.hltchips.com

Adress: No.198 Tianqin East Street, Gaoxin West District, Chengdu City