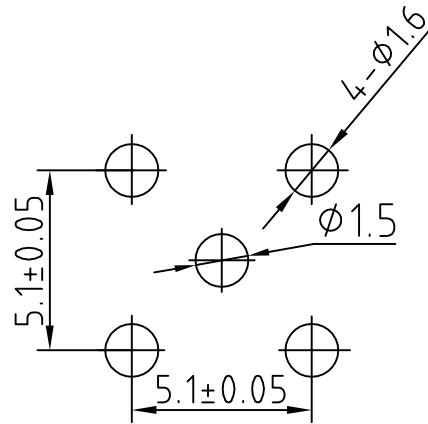
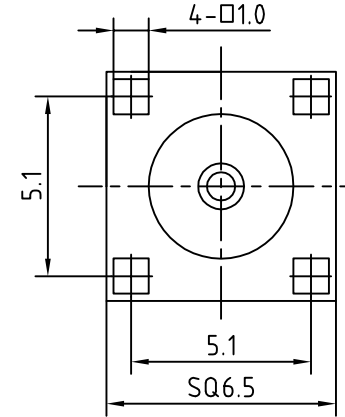
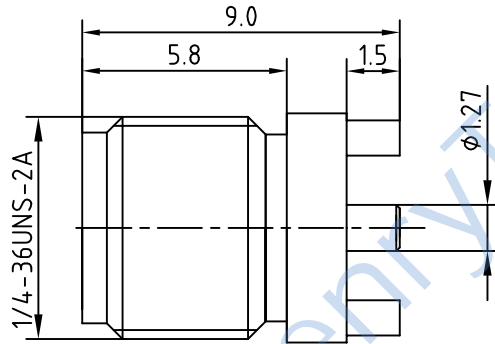


This document contains proprietary information and such information may not be disclosed to others for any purposes, not used for sales/marketing/procurement purposes without written permission

REV	DESCRIPTION OF REVISION	ECN NO.	BY	DATE	APPROVED
A	Initial Release	—	H.wei	1/9/15	1/9/15



Tel : Lee13890694956

Web : www.henglitai.tech.com/cn

Notes:

1. ALL SPECIFICATIONS ARE SUBJECT TO CHANGE NOTICE AT ANY TIME
2. CUSTOMER OUTLINE DRAWING FOR REFERENCE ONLY

DRAWN: H.wei 1/9/15 ENGINEER: L.yu 1/9/15 APPROVED: W.yi 1/9/15 TOLERANCES UNLESS OTHERWISE SPECIFIED .X ± 0.50 .XX ± 0.20 .XXX ± 0.10 ANGLES $\pm 1^\circ$	TITLE: HL-SMA-KHD2 SMA Female Connector PCB		DIMENSION IN MILLIMETERS (mm)			
PART NO: 3050-100	SIZE: A4		SCALE: N/A	SHEET: 1/1	REV: A	