

This document contains proprietary information and such information may not be disclosed to others for any purposes, not used for sales/marketing/procurement purposes without written permission

REV	DESCRIPTION OF REVISION	ECN NO.	BY	DATE	APPROVED
A	Initial Release	—	H.wei	19/03/17	19/03/17

1 Electrical

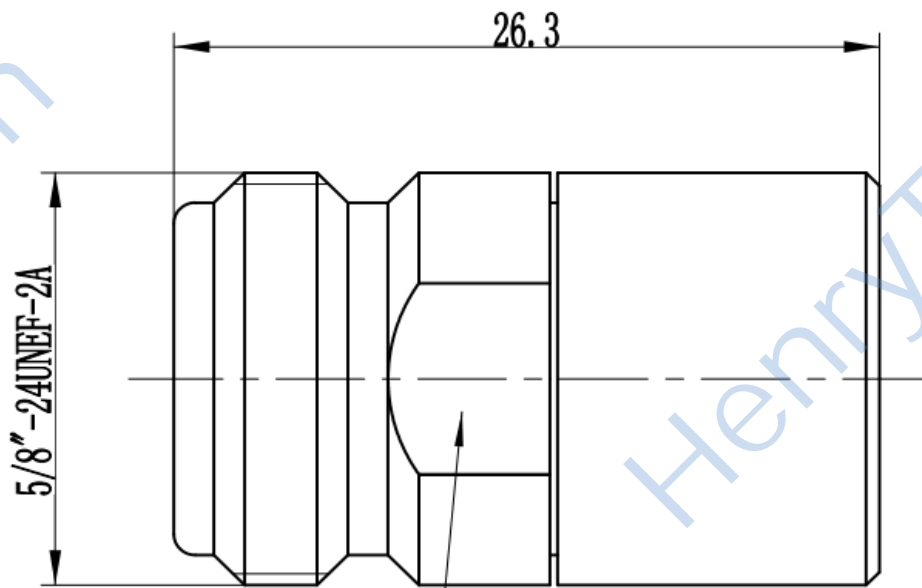
- 1.1 Impedance 50 Ω
- 1.2 Frequency DC~6GHz
- 1.3 Dielectric withstanding voltage 1000V(volts RMS)
- 1.4 Center contact resistance ≤ 3MΩ
- 1.5 Outer contact resistance ≤ 2MΩ
- 1.6 Insulation resistance: ≥5000MΩ
- 1.7 Power ≤ 2W
- 1.8 VSWR 1.25:1

2 Environmental&Mechanical

- 2.1 Temperature range -40℃~+125℃
- 2.2 RoHs Compliant
- 2.3 Durability >500 cycles

3 Materials&plating

- 3.1 Body: Brass, Nickel plated
- 3.2 Insulator: Teflon
- 3.3 Contact Pin: Bronze, gold plated



DRAWN: H.wei 19/03/17
ENGINEER: L.yu 19/03/17
APPROVED: W.yi 19/03/17
TOLERANCES UNLESS OTHERWISE SPECIFIED
X ±0.50
.X ±0.20
.XX ±0.10
ANGLES ±1°

TITLE:
RF Termination
N Female Conn.
Termination 2 Watts
PART NO: HL-N-50KR-2

Tel:Lee13890694956
Web:www.hltchips.com

DIMENSION IN MILLIMETERS (mm)

SIZE: A4	SCALE: N/A	SHEET: 1/1	REV: A
----------	------------	------------	--------

Notes:
1. ALL SPECIFICATIONS ARE SUBJECT TO CHANGE NOTICE AT ANY TIME
2. CUSTOMER OUTLINE DRAWING FOR REFERENCE ONLY