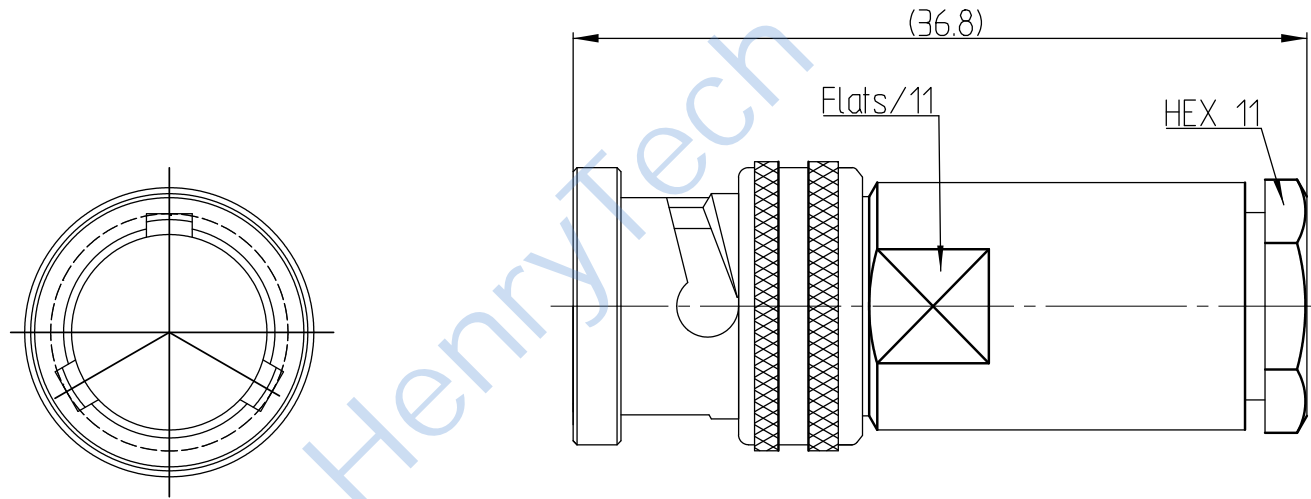


This document contains proprietary information and such information may not be disclosed to others for any purposes,
not used for sales/marketing/procurement purposes without written permission

REV	DESCRIPTION OF REVISION	ECN NO.	BY	DATE	APPROVED
A	Initial Release	—	H. wei	26/07/17	26/07/17



3 Materials&plating


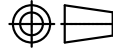
- | | |
|---------------------|--------------------|
| 3.1 Body: | Brass; Suco-plated |
| 3.2 Insulator: | Teflon |
| 3.3 Contact Pin: | Bronze Gold plated |
| 3.4 Outer contact : | Brass Gold plated |

Tel:Lee13890694956

Web:www.henglitaitech.com/cn

Notes:

- 1.ALL SPECIFICATIONS ARE SUBJECT TO CHANGE NOTICE AT ANY TIME
- 2.CUSTOMER OUTLINE DRAWING FOR REFERENCE ONLY

DRAWN : H. wei 26/07/17 ENGINEER : L. yu 26/07/17 APPROVED : W. yi 26/07/17	TITLE: RF Coaxial Connector TRB Male Connector for Triax TRC-50-2 Cable	  DIMENSION IN MILLIMETERS (mm)
TOLERANCES UNLESS OTHERWISE SPECIFIED X ±0.50 .X ±0.20 .XX ±0.10 ANGLES ±1°	PART NO: HL-TRB-J4A	
		SIZE: A4 SCALE: N/A SHEET: 1/1 REV: A